

IOT-CPE5G

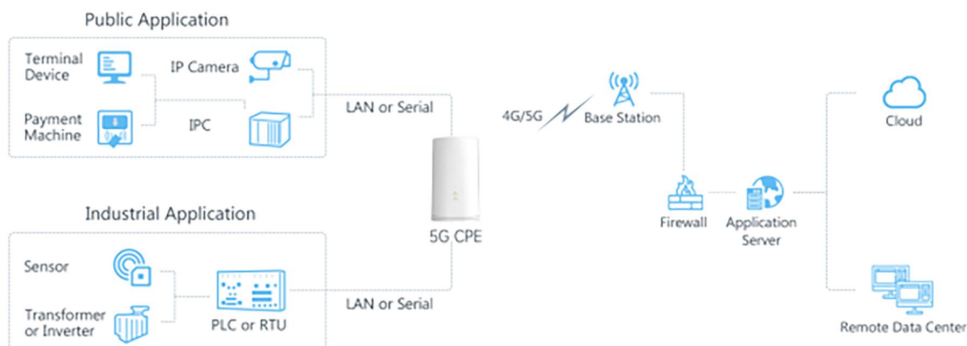
Outdoor 5G Cellular Router & CPE for High Speed Wireless Internet, WiFi 6, POE



IOT-CPE5G 5G CPE is dedicated to cost effective solutions for 5G wireless networking applications. Adopting a high-performance and low power consumption industrial platform of quad-core CPU and 5G cellular module, IOT-CPE5G supports the global WCDMA, 4G LTE, 5G Sub-6 GHz SA and NSA network and Wi-Fi 6, to provide ultra-fast network to ensure the extremely safe and reliable connection to the wireless network. With IP67 waterproof enclosure, various kinds of installation methods, and authentic design, IOT-CPE5G is competent to both indoor and outdoor applications. Meanwhile, IOT-CPE5G also supports 2-port Gigabit Ethernet switch, RS232/RS485 serial ports and Digital input/Digital output, which enable you to scale up M2M applications combining data collection and high-speed transmission in a limited time and budget.

IOT-CPE5G is particularly suitable for smart offices, video surveillance, digital media implementations, industrial automation, traffic applications, robots and so on.

Application Example



Fast & Reliable Network

- Industrial-grade quad-core CPU with ARM Cortex-A55 processor, providing high performance for data transmission
- Global 5G NSA&SA/4G LTE network for backup among multiple carrier networks
- Dual carrier aggregation (2CC CA) is supported in the 5G Sub-6GHz frequency band, with wider signal coverage superb speed and downlink speed up to 4.67 Gbps
- Plug & play, supply lightning transmission via Gigabit Ethernet ports or USB Type-C interface
- Support Wi-Fi 6, allows 2.4 GHz & 5 GHz dual band concurrent connections up to 3.6 Gbps download speed
- Embedded eight 5G antennas and four Wi-Fi antennas for best signal reception

Ease of Maintenance

- DeviceHub provides easy setup, mass configuration, and centralized management of remote devices
 - The user-friendly web interface design and more than one option of upgrade help administrators to manage the device as easy as pie
- Support multilevel user authorities for security management

Robust Hardware Design

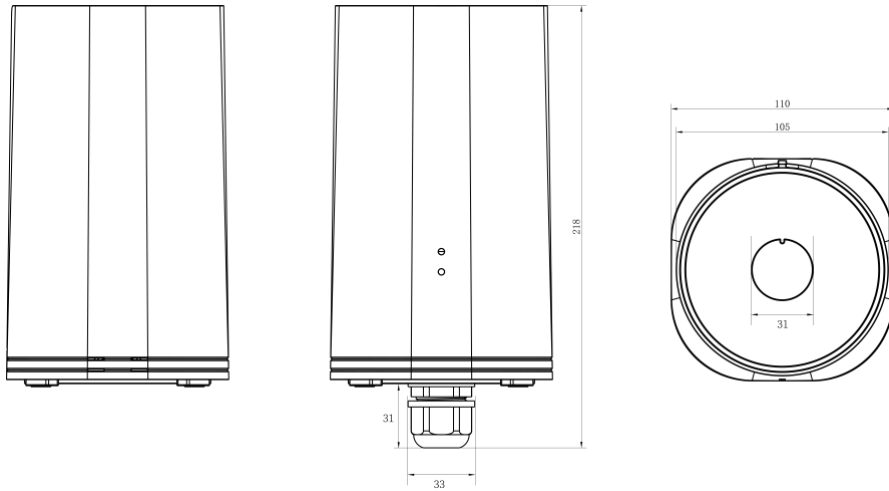
- Equipped with I/O, serial port, and GPS for industrial transmission applications
- Wide operating temperature range from -30°C to 60°C and industrial design for harsh environment
- IP67 waterproof and UV-protective enclosure for outdoor applications
- PoE, DC or USB power supply optional
- Equipped with a vent plug to prevent condensation in the enclosure
- Pole mounting, wall mounting, desktop, bottom screw mounting for various applications
- 3-year warranty included

Security & Reliability

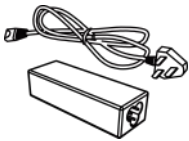
- Automated failover/failback among Ethernet, Cellular and Wi-Fi
 - Secure transmission with VPN tunnels such as IPsec/OpenVPN/L2TP/PPTP
 - Embeds hardware watchdog to automatically recover from various failures, ensure the highest level of availability
 - Equipped with multiple security protection measures such as ACL, DMZ, SYN-Flood protection, and data filtering to ensure that the network is secured.
- Support policy routing and NAT for more secure intranet access

Hardware System	
CPU	Quad-core ARM Cortex-A55, 2GHz
Memory	1 GB LDDR4x RAM and 1GBNANDFlash
Cellular Interface	
Network	5GNRSA & NSA/4G LTE/WCDMA
Frequency	North America: 5G NR: n2/n5/n7/n12/n25/n38/n41/n48/n66/n71/n77/n78 LTE-FDD: B2/B4/B5/B7/B12/B13/B14/B17/B25/B26/B29/B30/B66/B71 LTE-TDD: B38/B41/B42/B43/B48 LTE-LAA: B46 Europe/Middle East/Africa/Asia/Oceania/Brazil: 5G NR: n1/n3/n5/n7/n8/n20/n28/n38/n40/n41/n77/n78 LTE-FDD: B1/B3/B5/B7/B8/B20/28/B32 LTE-TDD: B38/B40/B41/B42/B43 WCDMA*: B1/B5/B8
Antenna	8 × Internal Antennas
SIM Slot	1 (MicroSIM-3FF)
Ethernet Interface	
Numbers	1 × 10/100/1000/ Mbps(LAN2)1 × 10/100/1000/2500 Mbps(LAN1/WAN)
Property	1 × WAN +1× LANor 2× LAN
Mode	Full or Half Duplex (Auto-Sensing)
PoE	1 × 802.3atPoE PD on LAN1/WANPort
Wi-Fi Interface(Optional)	
Antenna	4× Internal Antennas
Standards	IEEE 802.11b/g/n/ax4 x4MIMO, 2.4GHzIEEE 802.11a/n/ac/ax4x4MIMO, 5GHz
Max Bit Rate	2.4GHz: 1200Mbps, 5GHz: 2400Mbps
Modes	AP and ClientMode
Security	WEP/WPA/WPA2 authentication, WEP/TKIP/AES encryption
GNSS	
Antenna	1× Internal Antenna
Technology	GPS/GLONASS/Beidou/Galileo/QZSS
Serial Interface	
Numbers	1 × RS485(RS232 Hardware Optional)
Connector	3.5mm Terminal Block
Baud Rate	300bps to 230400bps
DI/DO	
Numbers	1 × DI (Dry Contact) + 1 × DO(Wet Contact), Galvanic Isolation
Connector	3.5mm Terminal Block
Maximum V/A	0.3A@30VDC(DO)
Others	
USB	1 × USB 3.0(Type-C)for network supplyand debugging
Reset Button	1 × RESET(Internal)
LED Indicators	1 × STATUS, 1 × Cellular Network
Built-in	Watchdog, Timer
Software	
Network Protocols	IPv4/IPv6, TCP, UDP, DHCP, HTTP, HTTPS, ARP, NTP, DNS, ARP, SSH, etc.
VPN	IPsec, OpenVPN, L2TP, PPTP
Security	Access Control, DMZ, Port Forwarding, SYN-Flood Protection, Filtering (IP & MAC & Domain)
Management	Web, DeviceHub, VPN
Reliability	WAN Failover
Serial Port	Transparent(TCP Client/Server, UDP), Modbus Master, Modbus Gateway (Modbus RTU to Modbus TCP)
Power Supplyand Consumption	
Power Connector	2-pin 3.5mm Terminal Block
Power Input	9-48 VDC, with Surge-Protection and Reverse Polarity Protection802.3atPoE PD
Power Consumption	Without Wi-Fi: Typical4.8 W, Max 6.5 WWith Wi-Fi: Typical9.9 W, Max 14.4 W
Physical Characteristics	
Ingress Protection	IP67
Housing	Polycarbonate + Cast Aluminium
Dimension	No Waterproof Connector: φ105 x 110x 187mm φ4.13x 4.33x 7.36in)With Waterproof Connector: φ105 x 110x 218mm (φ4.13x 4.33x 8.58in)
Installation	Desktop, Pole Mounting, Wall Mounting, Bottom ScrewMounting
Environmental	
Operating Temperature	-60°C (-22°F to +140°F)
Storage Temperature	-40°C to +85°C (-40°F to +185°F)
Ethernet Isolation	1.5 kV RMS
Relative Humidity	0% to 95% (Non-condensing) at 25°C/77°F

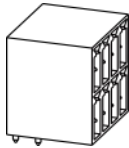
Dimensions (mm)



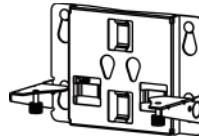
Accessories



1 × PoE Injector



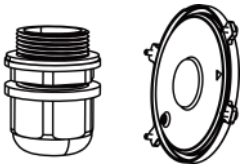
1 × 8-Pin Pluggable Terminal



1 × Mounting Bracket



4 × Rubber Feet



1 × Bottom Cover with Cable Gland



1 × Waterproof Rubber Ring



4 × Wall Mounting Kits



2 × Hose Clamps

*Note: Contact us if you need any other special accessories or customized accessories.