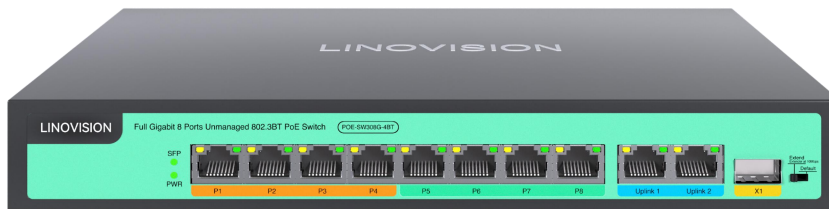


POE-SW308G-4BT

Full Gigabit 8 Ports IEEE 802.3bt PoE Switch



The POE-SW308G-4BT is an 8 ports Full Gigabit PoE++ Switch, featuring 8* 10/100/1000Mbps IEEE 802.3af/at/bt PoE port, 2* self-adaptive Gigabit ethernet port, and 1* Gigabit SFP uplink port. Each port supports up to 90W (Ports 1-4) or 30W (Ports 5-8), with a total power budget of 120W. This unmanaged PoE switch requires no configuration—simply plug the PoE devices and get connected & powered. It is ideal for home or business scenarios with high-power PoE requirements.

Outstanding Features

- **Supports IEEE 802.3bt:** Up to 90W output on ports 1-4, total power budget 120W. Backward compatibility with IEEE 802.3af/at, ensures broad device support.
- **Full Gigabit Ports:** Features 8 * 10/100/1000Mbps PoE++ ports, 2 * self-adaptive Gigabit Ethernet port and 1 * Gigabit SFP Uplink port, offers better interference resistance, lower latency, and longer transmission distance.
- **Long Distance PoE:** It supports PoE Extend mode for 820ft long distance POE transmission (Bandwidth reduces to 10Mbps per port).
- **Plug and Play:** This unmanaged PoE Switch requires no configuration, simply connect the power and network cables, and it automatically detects and powers PoE devices.
- **Solid Design:** Full metal enclosure with 6KV surge protection, this switch shields against power surges, lightning strikes, and voltage spikes.

Specification

POE-SW308G-4BT	
Mechanical	
Dimensions (W*H*D)	12.99x8.66x1.75" (330x220x44.5mm)
Input Power Supply	100 to 240V AC, 50/60Hz
Weight	4.41lb (2kg)
Material	Aluminum
Installation	Desktop Installation/ Wall-Mounting
Interface	
Connector	8* 10/100/1000Mbps PoE RJ45 Ports
	2* 10/100/1000Mbps RJ45 Port
	1* 1000Mbps SFP Slot
Ethernet	
Processing Type	Store and Forward
Packet forwarding rate	17.86Mpps
Switching Capacity	24Gbps
MAC Address Table	8k
PoE	
PoE Standard	IEEE 802.3af/at/bt
PoE Power Supply Mode	4 Pairs: 12/45 (+), 36/78 (-)
PoE Power Output	Max.90W (Single Port)
PoE Total Budget	120W
Environmental	
Operating Temperature	-4°F to 131°F (-20°C to 55°C)
Storage Temperature	-4°F to 167°F (-20°C to 75°C)
Operating Humidity	5% to 95% non-condensing
Storage Humidity	5% to 95% non-condensing
ESD Protection	6KV

Package included



POE-SW308G-4BT



Power Adapter



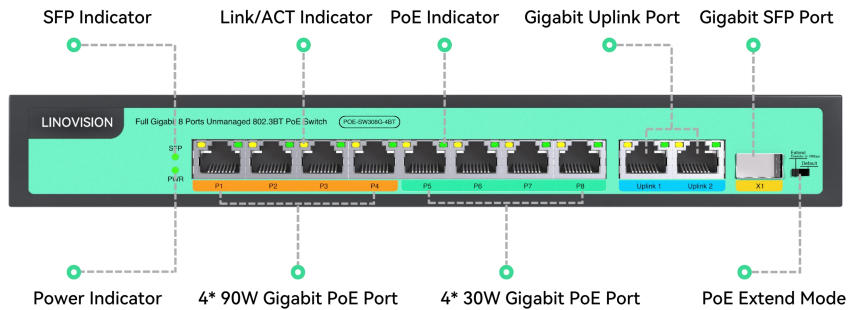
Wall Mounting Accessory



User Manual

Interface

Front View



Side View



Dimension



**Disclaimer: Technical specifications may subject to change without prior notice*